

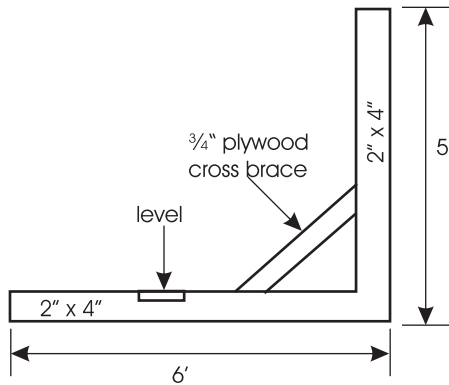
Tools for Signing and Marking

Sign Height Check Tool

This tool can quickly check the proper height of roadway signs.

Materials

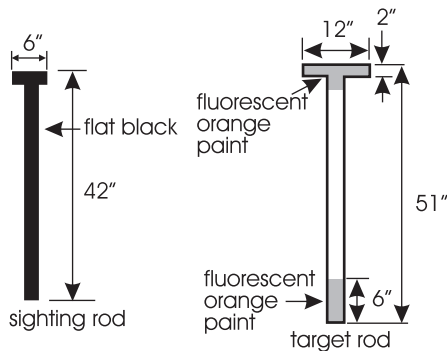
1. 2" x 4" (6 feet)
2. 2" x 4" (5 feet)
3. Level
4. 3/4" plywood cross brace



Sign height check tool

Sight Distance Target Rods

Target rods are used to determine clear sight distance triangles and stopping sight distances. A distance wheel should also be used with the rods.



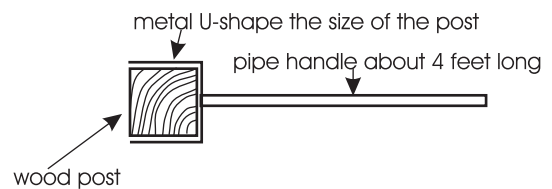
Sight distance target rods

Sign Turner

This tool is used to align the sign and post before final tamping. One person checks the sign to make certain it is facing the roadway at the proper angle to be seen at night, while the other person rotates the post with the tool. Small signs should be mounted at 90 degrees to the road.

Materials

1. Pipe handle about 4 feet long
2. Metal U-shape the size of the post



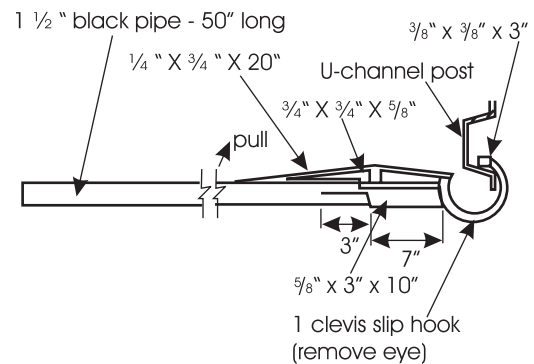
Sign turner

Metal Post Straightener

This tool is used to straighten bent metal posts.

Materials

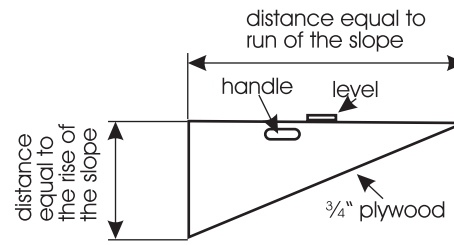
1. one piece, 1 1/2" black pipe, 50" long
2. one piece, 5/8" x 3" x 10" long
3. one piece, 3/4" x 3/4" x 5/8" long
4. one piece, 1/4" x 3/4" x 20" long
5. one piece, 3/8" x 3/8" x 3" long
6. one Clevis slip hook (remove eye)



Metal post straightener

Embankment Slope Meter

The embankment slope meter is used as a template to measure the slopes of embankments along the roadway. For slopes of 1:6 to 1:10, reduce the size by half to make the tool easier to handle. For example, to measure a 1:8 slope, cut the plywood to 4 feet long and 1/2 feet deep.



Embankment slope meter